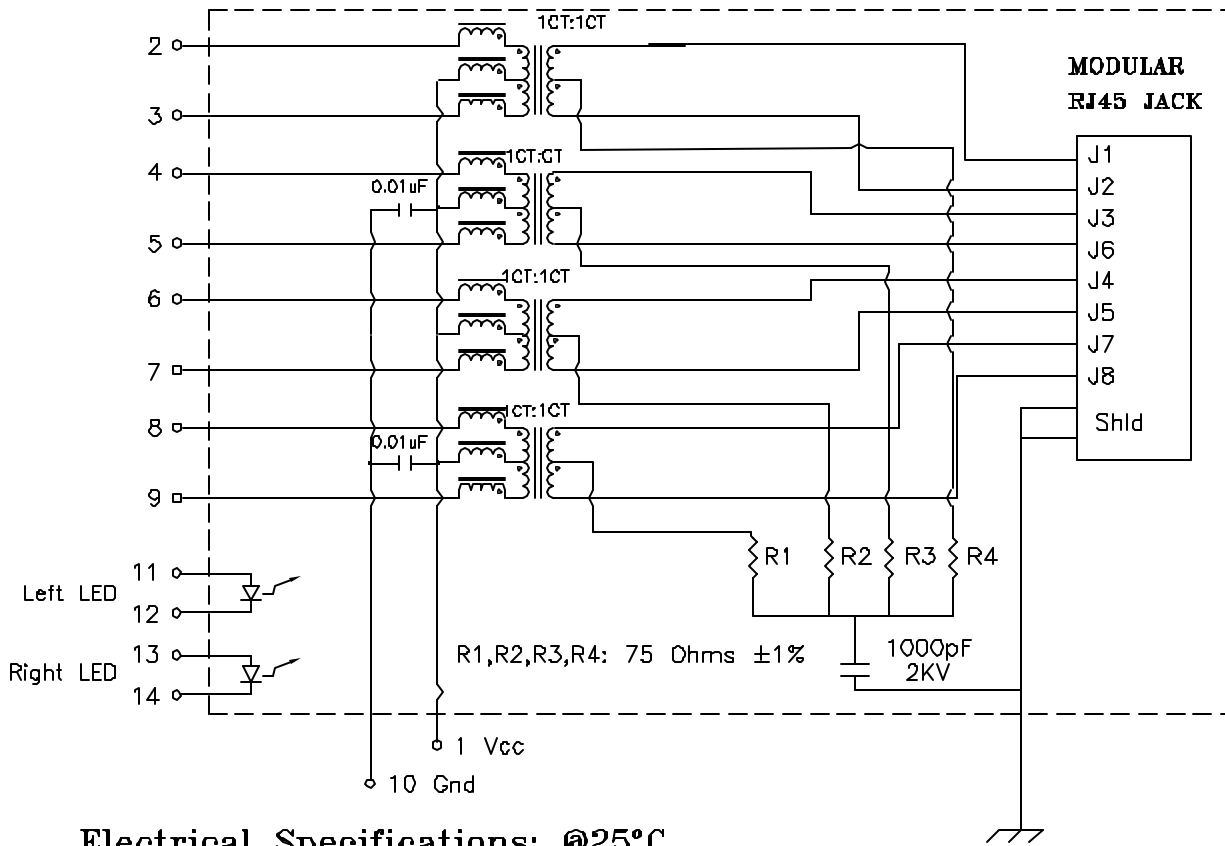


# Schematic: (Single Port)



## Electrical Specifications: @25°C

ISOLATION: 1500Vrms (See Notes)  
 TURNS RATIO: (PRI/SEC) 1CT:1CT ±3%  
 OCL: 350uH MIN @100KHz 100mV 8mA DC  
 Rise Time: 1.75ns Max.  
 INSERTION LOSS: -1.0dB MAX @1MHz-100MHz  
 -1.5dB MAX @100-125MHz  
 RETURN LOSS: -18dB Min @1-30MHz  
 -15dB Min @40MHz -13.1dB Min @50MHz  
 -12dB Min @60-80MHz -10dB Min @100MHz  
 Differential to Common Mode Rejection:  
 -43dB Min @30MHz -37dB Min @80MHz  
 -33dB Min @100MHz  
 CMRR: -30dB Min @1-100MHz  
 Crosstalk: -45dB Min @30MHz  
 -40dB Min @60MHz -35dB Min @100MHz

Complete the Combo P/N as follows:

Replace 'x' & 'u' in the part number with one of the LED color letters:  
 Y=Yellow 'x' = Left LED Color  
 G=Green 'u' = Right LED Color  
 A=Amber  
 R=Red  
 C=Green(1)/Amber(2) Bicolor  
 D=Amber(1)/Green(2) Bicolor  
 M=Green(1)/Yellow(2) Bicolor  
 N=Yellow(1)/Green(2) Bicolor  
 P=Red(1)/Green(2) Bicolor  
 Q=Green(1)/Red(2) Bicolor  
 E=Red(1)/Yellow(2) Bicolor  
 F=Yellow(1)/Red(2) Bicolor  
 H=Amber(1)/Yellow(2) Bicolor

Single Color LED:

Bi-Color LED:

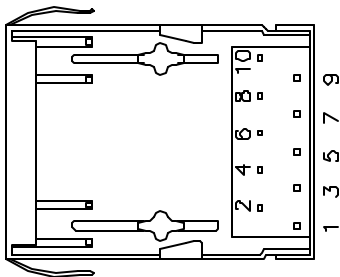
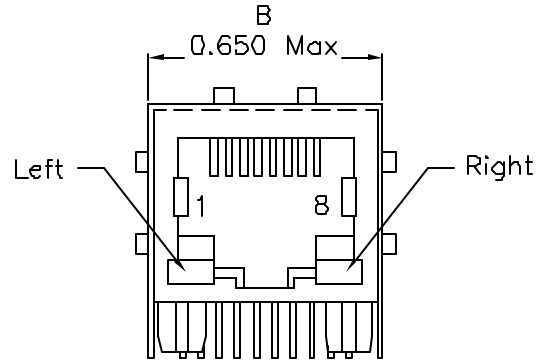
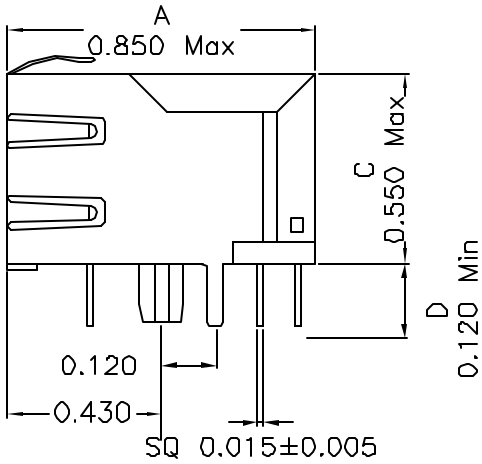
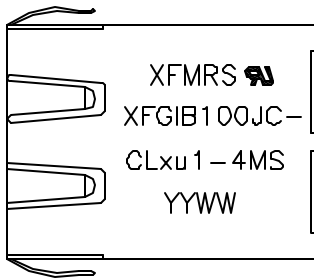
- Notes:
- Solderability: Leads shall meet MIL-STD-202G, Method 208H for solderability.
  - Flammability: UL94V-0
  - ASTM oxygen Index: > 28%
  - Insulation System: Class F 155°C. UL file E151556
  - Operating Temperature Range: All listed parameters are to be within tolerance from -40°C to +85°C
  - Storage Temperature Range: -55°C to +125°C
  - Aqueous wash compatible
  - Electrical and mechanical specifications 100% tested
  - RoHS Compliant Component
  - Hipat spec refers to application to wound toroids only

DOC REV: A/2

<b>XFMRS Inc</b> www.XFMRS.com	Title: SINGLE PORT COMBO	
	P/N: XFGIB100JC-CLxu1-4MS UNLESS OTHERWISE SPECIFIED TOLERANCES: .xxx ±0.010 Dimensions in Inch	REV. A DWN. Juan Mao Jan-12-07 CHK. YK Liao Jan-12-07 APP. MS Jan-12-07
SHEET 1 OF 2		

**PROPRIETARY:**  
 Document is the property of XFMRS Group & is not allowed to be duplicated without authorization.

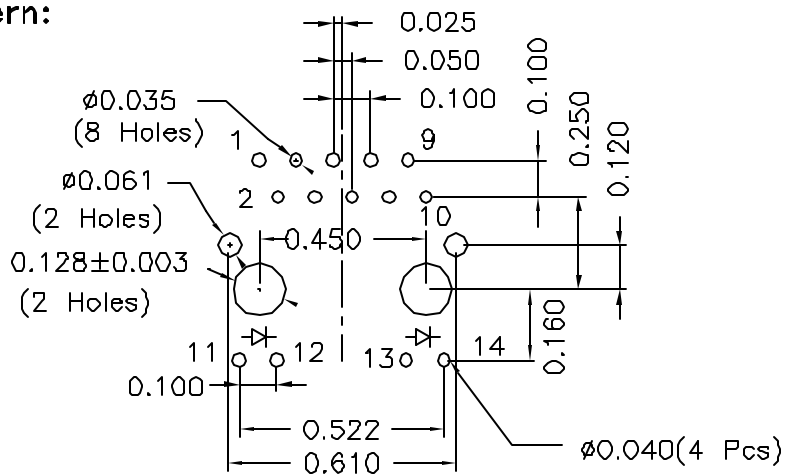
# Mechanical Dimensions:



(BOTTOM VIEW)

## Mounting Pattern:

(COMP SIDE)



DOC REV: A/2

<b>XFMRS Inc.</b>	Title: Mechanical Dimensions For CLxu1-4MS Series		
	UNLESS OTHERWISE SPECIFIED TOLERANCES: .xxx ±0.010 Dimensions in Inch	P/N: XFGIB100JC-CLxu1-4MS	REV. A
SHEET 2 OF 2	DWN.	Juan Mao	Jan-12-07
	CHK.	YK Liao	Jan-12-07
	APP.	MS	Jan-12-07

**PROPRIETARY:**

Document is the property of XFMRS Group & is not allowed to be duplicated without authorization.